

TMM-201

20.1 Inch Military Monitor

GENERAL

This specification defines the descriptions for the TMM-201 TFT LCD Monitor. TMM series is developed and designed for use in operator display such as Military applications. TMM series are subject to strict quality tests performed both internally and by independent Military test rule.



KEY FEATURES

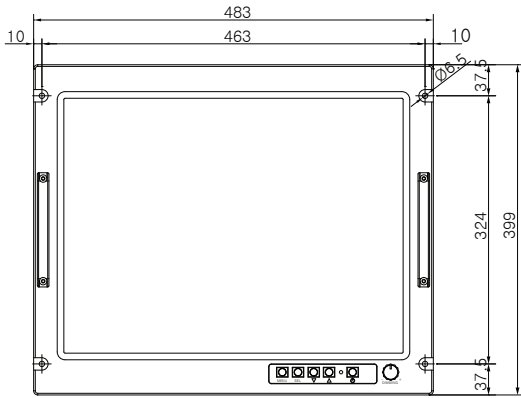
- MIL Qualified Product from Military test rule
- Anti-Glare and Anti-Reflective TFT LCD Technology
- LED Backlight Technology
- Tempered Glass for Panel Protection
- Long-Term Lifecycle Management

GENERAL FEATURE

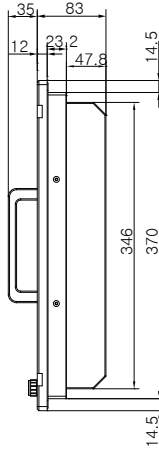
Section	Specifications
TFT Technology	Active Matrix Liquid Crystal Display, Amorphous TFT (Thin Film Transistor) Anti-Glare & Anti-Reflective, LED Backlight Technology
Viewable Size	20.1 inch diagonal
Active Area	408 (H) x 306 (V)mm
Resolution	1600 (H) x 1200 (V)
Pixel Pitch	0.255 (H) x 0.255 (V)
Aspect Ratio	4:3
Response Time	30ms
Brightness	330cd/m ²
Contrast Ratio	1400:1
View Angle	170°RL / 170°UD
Max Colors	16.7Million True Color
Synchronization Range	31~80KHz (Horizontal) 55~76Hz (Vertical)
Optimal Resolution	1600 x 1200 @60Hz
Input Signal	1 x VGA (D-SUB 15p female) 1 x DVI-D (DVI 24p female) 1 x RS232 (D-SUB 9p female)
User Control	OSD-Button : Power, Menu, Select, Up, Down Dimming Control : 0~100%
Power Consumption	50W (MAX)
Power Specification	100~230VAC 50/60Hz (Military connector)
Product Dimension	483mm (W) x 399mm (H) x 83mm (D)
Weight	12Kg
EMC	MIL-STD-461E CE102, CS101, CS114, CS116, RE101, RE102, RS101, RS103
Environmental (Test Approval)	MIL-STD 810F:2003 Method 502.4 Procedure I, II MIL-STD 810F:2003 Method 501.4 Procedure I, II MIL-STD 810F:2003 Method 507.4
Shock (Test Approval)	MIL-STD 901D (NAVY):1989 (Hi-Shock Test)
Vibration (Test Approval)	MIL-STD-167-1A:2005
Chassis	Aluminum

MILITARY LCD MONITOR

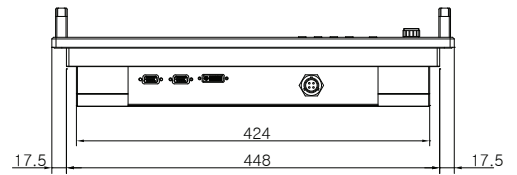
TMM-201



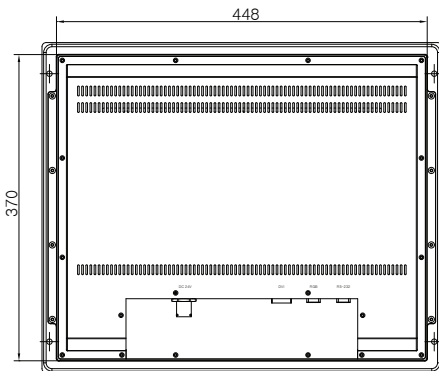
FRONT VIEW



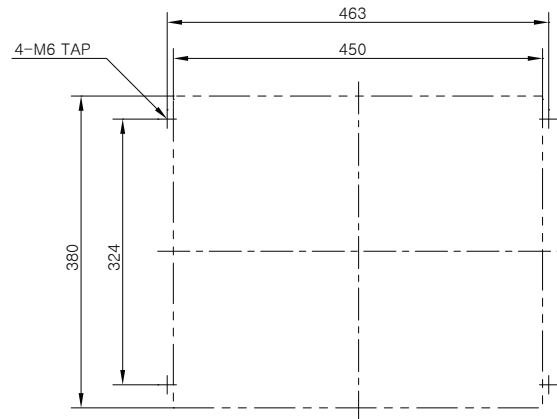
SIDE VIEW



BOTTOM VIEW



REAR VIEW



PANEL CUTTING

Tetradyne Co., LTD.

#604/605, E&C VENTURE DREAM TOWER II, 55,
DIGITAL-RO 33-GIL, GURO-GU, SEOUL, 08376, REP KOREA

Tel : +82-2-323-4972

E-mail : sales@tetradyne.co.kr

Web site : www.tetradyne.co.kr

Contact Point

Specifications and features are subject to change without notice.

All products names are trademarks or registered trademarks of Tetradyne.co.,Ltd.